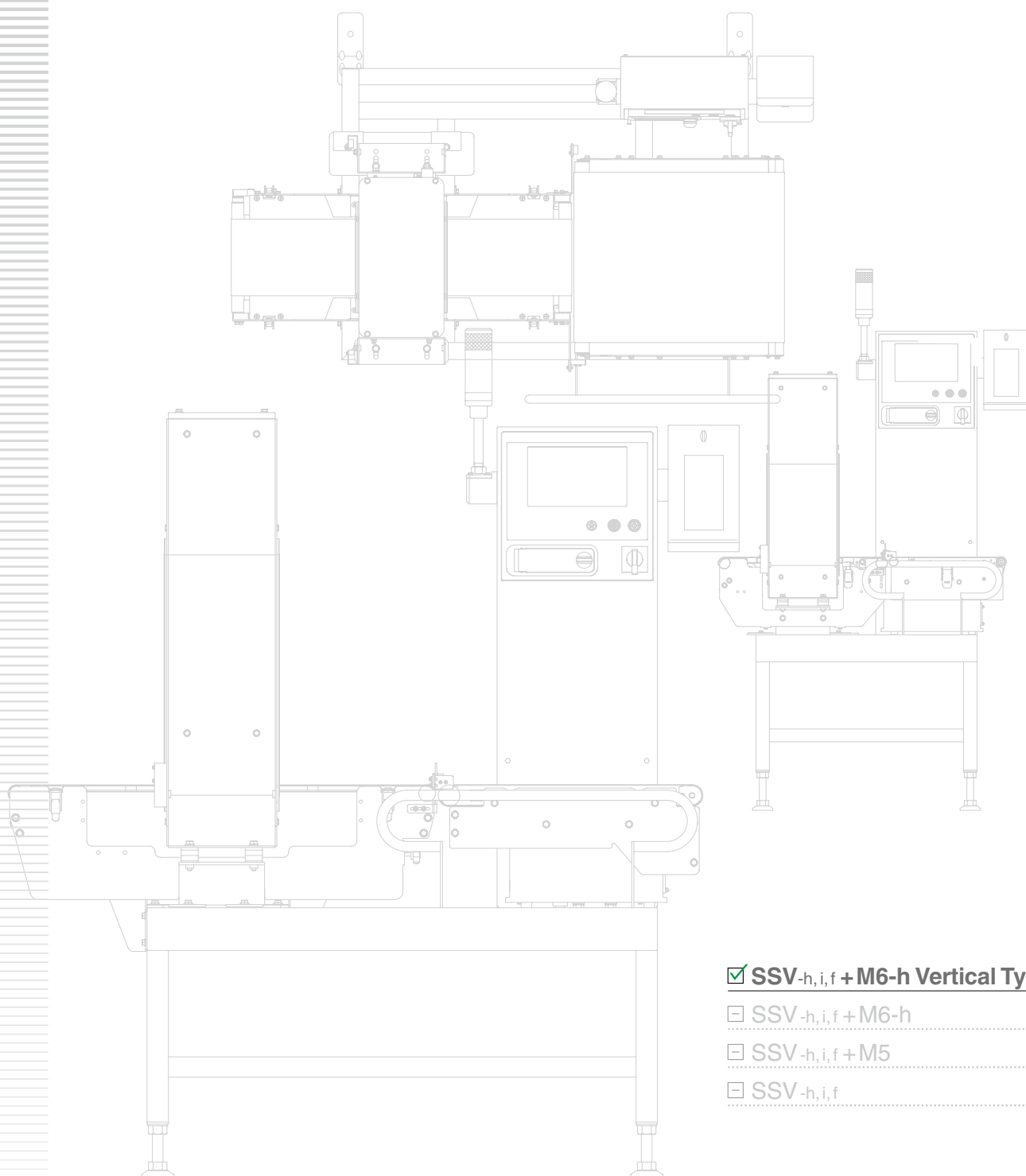


SSV series

Combination Checkweigher

and Vertical Type Metal Detector

M6-h



SSV-h,i,f + M6-h Vertical Type

SSV-h,i,f + M6-h

SSV-h,i,f + M5

SSV-h,i,f

SSV series
**Combination Checkweigher
and Vertical Type Metal Detector**



M6-h vertical type metal detector equipped model

Line up

High Accuracy

Combination SSV-h Series and Metal Detector

Equipped with a high speed/high accuracy force balance load cell. Meets stringent accuracy and reliability standards in industrial and pharmaceutical products.

Control panel exterior	<input checked="" type="checkbox"/> Stainless steel	<input checked="" type="checkbox"/> Painted
Conveyor	<input type="checkbox"/> Waterproof	<input checked="" type="checkbox"/> Non waterproof
Balance	<input checked="" type="checkbox"/> Force balance	<input type="checkbox"/> Strain gauge
Frame	<input checked="" type="checkbox"/> Stainless steel	<input checked="" type="checkbox"/> Painted
Metal detector selection	<input checked="" type="checkbox"/> M6-h vertical type	

Waterproof

Combination SSV-i Series and Metal Detector

Features waterproof and dustproof cabinet and components. Its hygienic design is perfect for unpackaged and fresh foods which require stringent sanitary control.

Control panel exterior	<input checked="" type="checkbox"/> Stainless steel	<input type="checkbox"/> Painted
Conveyor	<input checked="" type="checkbox"/> Waterproof	<input type="checkbox"/> Non waterproof
Balance	<input checked="" type="checkbox"/> Force balance	<input checked="" type="checkbox"/> Strain gauge
Frame	<input checked="" type="checkbox"/> Stainless steel	<input type="checkbox"/> Painted
Metal detector selection	<input checked="" type="checkbox"/> M6-h vertical type	

Versatile

Combination SSV-f Series and Metal Detector

Equipped with a highly versatile strain gauge load cell. Well suited for a variety of applications including heavy products.

Control panel exterior	<input checked="" type="checkbox"/> Stainless steel	<input checked="" type="checkbox"/> Painted
Conveyor	<input type="checkbox"/> Waterproof	<input checked="" type="checkbox"/> Non waterproof
Balance	<input type="checkbox"/> Force balance	<input checked="" type="checkbox"/> Strain gauge
Frame	<input checked="" type="checkbox"/> Stainless steel	<input checked="" type="checkbox"/> Painted
Metal detector selection	<input checked="" type="checkbox"/> M6-h vertical type	

Metal Detector Selection

High Sensitivity
M6-h

Anritsu's unique dual-wave detection technology minimizes product effect to deliver high performance and stability. The M6-h is the next evolution of the industry's first simultaneous 2 frequency detection systems.

Model Selection List

- [] are optional.
- The accuracy and speed vary according to the products to be weighed and the rejector.
- △ : A letter indicating the exterior type.
- : A number indicating the metal detection unit type.

Page	Series	Item Model	Weighing range (g)	Maximum accuracy (3σ) (g)	Maximum speed (products/min)	Belt speed (m/min)	Product size		Pass width of vertical type metal detector: □K					
							Pass height (mm)	Length (mm)	20 to 80 mm	20 to 100 mm	20 to 120 mm	20 to 130 mm	20 to 150 mm	20 to 180 mm
									3K	4K	5K	6K	7K	8K
4	High Accuracy SSV-h series	KWS6205B△□K	1.2 to 600	±0.015	400	15 to 120	5 to 280	58 to 230	✓	✓	✓	—	✓	✓
5		KWS6206B△□K	1.2 to 600	±0.015	320	15 to 120	5 to 280	58 to 320	✓	✓	✓	—	✓	✓
6		KWS6411B△□K	6 to 3000	±0.1	400	15 to 120	5 to 280	65 to 230	✓	✓	✓	—	✓	✓
7		KWS6412B△□K	6 to 3000	±0.1	320	15 to 120	5 to 280	65 to 320	✓	✓	✓	—	✓	✓
8		KWS6414B△□K	6 to 3000	±0.1	220	15 to 120	5 to 280	65 to 450	✓	✓	✓	—	✓	✓
9	Waterproof SSV-i series	KWS6265BW□K	6 to 600	±0.1	280	9 to 82	5 to 275	68 to 200	✓	✓	✓	—	✓	✓
10		KWS6366BW□K	12 to 1200	±0.1	220	9 to 82	5 to 275	68 to 320	✓	✓	✓	—	✓	✓
11		KWS6472BW□K	30 to 3000 [30 to 1200]	±0.1	160 [220]	7 to 60 [9 to 82]	5 to 275	76 to 320	✓	✓	✓	—	✓	✓
12		KWS5265BW□K	6 to 600	±0.2	280	9 to 82	5 to 275	68 to 200	✓	✓	✓	—	✓	✓
13		KWS5366BW□K	12 to 1200	±0.2	220	9 to 82	5 to 275	68 to 320	✓	✓	✓	—	✓	✓
14		KWS5472BW□K	30 to 3000 [30 to 1200]	±0.5	160 [220]	7 to 60 [9 to 82]	5 to 275	76 to 320	✓	✓	✓	—	✓	✓
15	KWS5577BW□K	60 to 6000	±1.5	70	5 to 38	5 to 425	76 to 450	—	✓	—	✓	✓	✓	
16	Versatile SSV-f series	KWS5205B△□K	6 to 600	±0.2	350	15 to 103	5 to 280	58 to 230	✓	✓	✓	—	✓	✓
17		KWS5206B△□K	6 to 600	±0.2	320	15 to 120	5 to 280	58 to 310	✓	✓	✓	—	✓	✓
18		KWS5411B△□K	12 to 3000	±0.2	320	15 to 94	5 to 280	65 to 230	✓	✓	✓	—	✓	✓
19		KWS5412B△□K	12 to 3000	±0.2	320	15 to 120	5 to 280	65 to 310	✓	✓	✓	—	✓	✓
20		KWS5414B△□K	12 to 3000	±0.2	220	15 to 120	5 to 280	65 to 450	✓	✓	✓	—	✓	✓
21		KWS5524B△□K	60 to 6000	±1.5	110	5 to 60	5 to 430	79 to 450	—	✓	—	✓	✓	✓

High Accuracy **SSV-h** **M6-h**

SSV-h series and M6-h Metal Detector **Vertical type**

KWS6205 type

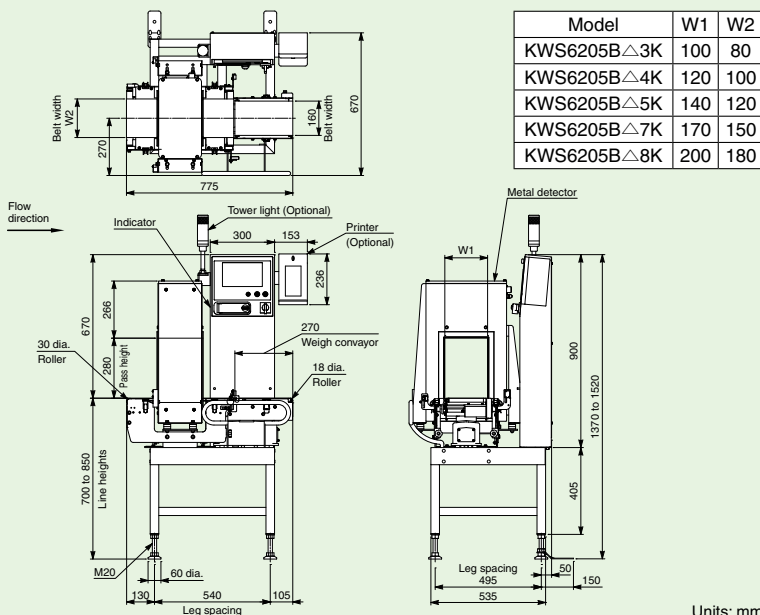
Weighing range: **1.2 to 600 g**

Maximum accuracy(3σ): **± 0.015 g**

Maximum speed: **400** products/min

External Dimensions (with M6-h series vertical type)

- KWS6205B△3K
- KWS6205B△4K
- KWS6205B△5K
- KWS6205B△7K
- KWS6205B△8K



Specifications

Model	KWS6205BF3K KWS6205BP3K	KWS6205BF4K KWS6205BP4K	KWS6205BF5K KWS6205BP5K	KWS6205BF7K KWS6205BP7K	KWS6205BF8K KWS6205BP8K	
Weighing range	1.2 to 600 g					
Scale interval	0.01 g					
Maximum speed ¹	400 products/min					
Maximum accuracy (3σ) ¹	±0.015 g					
Display	8.5-inch color TFT LCD					
Operation method	Touch panel (Start, Stop, and Home are direct push buttons)					
Indication range	600.9 g					
Preset memory	Maximum 200					
Classification	2 or 3					
Product size ²	Width W	20 to 80 mm	20 to 100 mm	20 to 120 mm	20 to 150 mm	20 to 180 mm
	Length L	58 to 230 mm				
	Height H	5 to 280 mm				
Belt speed	15 to 120 m/min					
Power requirements	100 Vac to 120 Vac +10% -15% or 200 Vac to 240 Vac +10% -15%, single phase, 50/60 Hz, 200 VA, rush current 30 A (typ.) (20 ms or less)					
Mass	119 kg	120 kg	121 kg	123 kg	124 kg	
Environmental conditions	0°C to 40°C (variation not to exceed 5°C/h to maintain accuracy), relative humidity 30% to 85%, non-condensing					
Protection class	IP30 compliance					
Exterior	F type: painted, P type: stainless steel (SUS304) (excluding some parts)					
Data output	USB port (USB2.0), Ethernet interface (10BASE-T, 100BASE-TX)					

¹: The speed and accuracy vary according to the products to be weighed and the rejector.

²: The size of products to be weighed depends on the rejector; select a checkweigher together with a rejector. Consult us about semi-transparent and transparent products.

Note: The noise level of the checkweighers does not exceed 70 dB (A).

High Accuracy **SSV-h** **M6-h**

SSV-h series and M6-h Metal Detector **Vertical type**

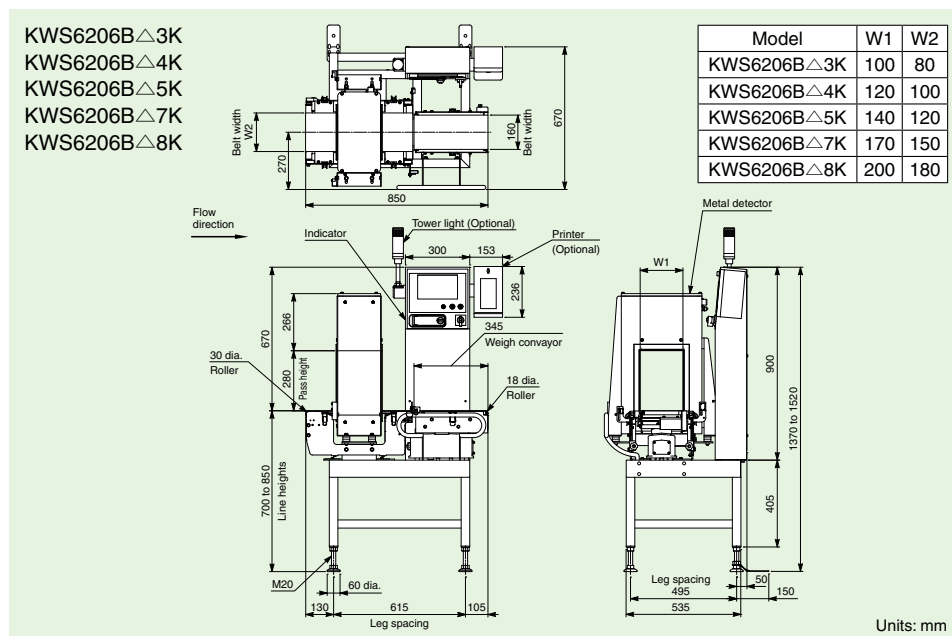
KWS6206 type

Weighing range: **1.2 to 600 g**

Maximum accuracy(3σ): **± 0.015 g**

Maximum speed: **320** products/min

External Dimensions (with M6-h series vertical type)



Specifications



Model	KWS6206BF3K KWS6206BP3K	KWS6206BF4K KWS6206BP4K	KWS6206BF5K KWS6206BP5K	KWS6206BF7K KWS6206BP7K	KWS6206BF8K KWS6206BP8K	
Weighing range	1.2 to 600 g					
Scale interval	0.01 g					
Maximum speed ¹	320 products/min					
Maximum accuracy (3σ) ¹	±0.015 g					
Display	8.5-inch color TFT LCD					
Operation method	Touch panel (Start, Stop, and Home are direct push buttons)					
Indication range	600.9 g					
Preset memory	Maximum 200					
Classification	2 or 3					
Product size ²	Width W	20 to 80 mm	20 to 100 mm	20 to 120 mm	20 to 150 mm	20 to 180 mm
	Length L	58 to 320 mm				
	Height H	5 to 280 mm				
Belt speed	15 to 120 m/min					
Power requirements	100 Vac to 120 Vac +10% -15% or 200 Vac to 240 Vac +10% -15%, single phase, 50/60 Hz, 200 VA, rush current 30 A (typ.) (20 ms or less)					
Mass	119 kg	120 kg	121 kg	123 kg	124 kg	
Environmental conditions	0°C to 40°C (variation not to exceed 5°C/h to maintain accuracy), relative humidity 30% to 85%, non-condensing					
Protection class	IP30 compliance					
Exterior	F type: painted, P type: stainless steel (SUS304) (excluding some parts)					
Data output	USB port (USB2.0), Ethernet interface (10BASE-T, 100BASE-TX)					

¹: The speed and accuracy vary according to the products to be weighed and the rejector.

²: The size of products to be weighed depends on the rejector; select a checkweigher together with a rejector. Consult us about semi-transparent and transparent products.

Note: The noise level of the checkweighers does not exceed 70 dB (A).

High Accuracy **SSV-h** **M6-h**

SSV-h series and M6-h Metal Detector **Vertical type**

KWS6411 type

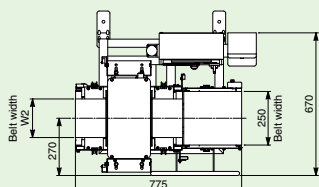
Weighing range: **6 to 3000 g**

Maximum accuracy(3σ): **± 0.1 g**

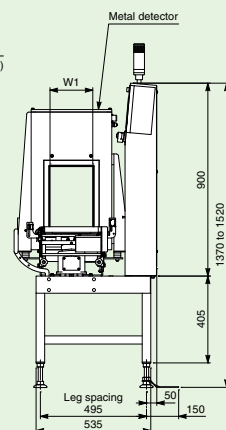
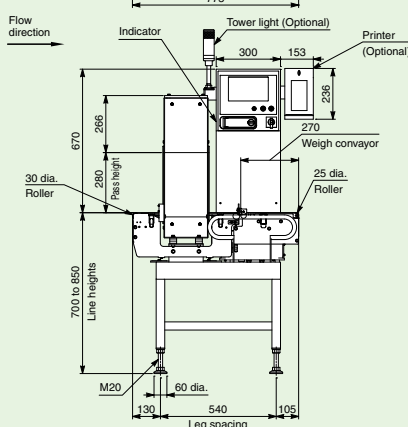
Maximum speed: **400** products/min

External Dimensions (with M6-h series vertical type)

- KWS6411B△3K
- KWS6411B△4K
- KWS6411B△5K
- KWS6411B△7K
- KWS6411B△8K



Model	W1	W2
KWS6411B△3K	100	80
KWS6411B△4K	120	100
KWS6411B△5K	140	120
KWS6411B△7K	170	150
KWS6411B△8K	200	180



Units: mm

Specifications



Model	KWS6411BF3K KWS6411BP3K	KWS6411BF4K KWS6411BP4K	KWS6411BF5K KWS6411BP5K	KWS6411BF7K KWS6411BP7K	KWS6411BF8K KWS6411BP8K	
Weighing range	6 to 3000 g					
Scale interval	0.05 g					
Maximum speed ¹	400 products/min					
Maximum accuracy (3σ) ¹	±0.1 g					
Display	8.5-inch color TFT LCD					
Operation method	Touch panel (Start, Stop, and Home are direct push buttons)					
Indication range	3004.5 g					
Preset memory	Maximum 200					
Classification	2 or 3					
Product size ²	Width W	20 to 80 mm	20 to 100 mm	20 to 120 mm	20 to 150 mm	20 to 180 mm
	Length L	65 to 230 mm				
	Height H	5 to 280 mm				
Belt speed	15 to 120 m/min					
Power requirements	100 Vac to 120 Vac +10% -15% or 200 Vac to 240 Vac +10% -15%, single phase, 50/60 Hz, 300 VA, rush current 30 A (typ.) (20 ms or less)					
Mass	122 kg	123 kg	124 kg	126 kg	127 kg	
Environmental conditions	0°C to 40°C (variation not to exceed 5°C/h to maintain accuracy), relative humidity 30% to 85%, non-condensing					
Protection class	IP30 compliance					
Exterior	F type: painted, P type: stainless steel (SUS304) (excluding some parts)					
Data output	USB port (USB2.0), Ethernet interface (10BASE-T, 100BASE-TX)					

¹: The speed and accuracy vary according to the products to be weighed and the rejector.

²: The size of products to be weighed depends on the rejector; select a checkweigher together with a rejector. Consult us about semi-transparent and transparent products.

Note: The noise level of the checkweighers does not exceed 70 dB (A).

High Accuracy **SSV-h** **M6-h**

SSV-h series and M6-h Metal Detector **Vertical type**

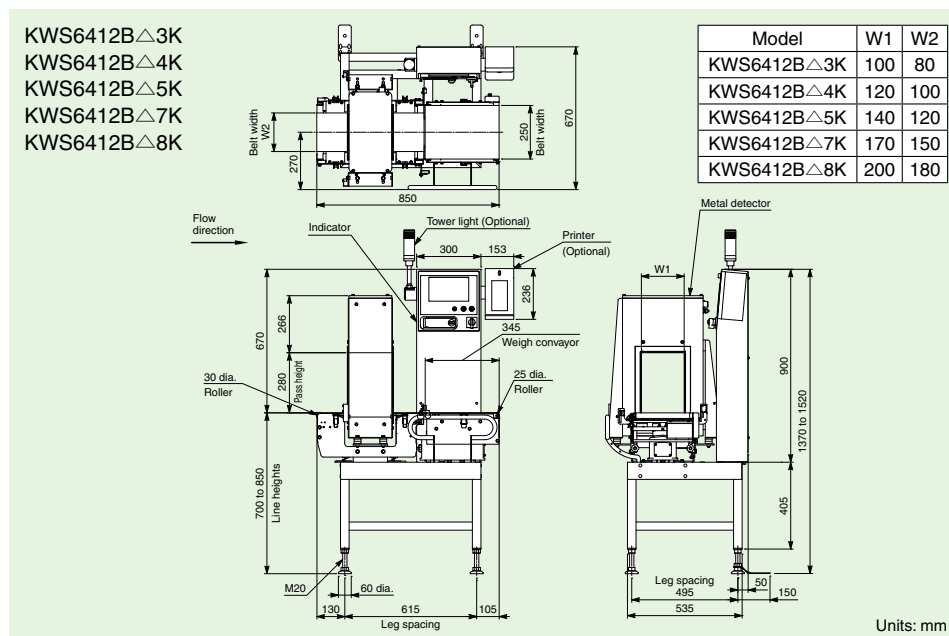
KWS6412 type

Weighing range: **6 to 3000 g**

Maximum accuracy(3σ): **± 0.1 g**

Maximum speed: **320** products/min

External Dimensions (with M6-h series vertical type)



Specifications



Model	KWS6412BF3K KWS6412BP3K	KWS6412BF4K KWS6412BP4K	KWS6412BF5K KWS6412BP5K	KWS6412BF7K KWS6412BP7K	KWS6412BF8K KWS6412BP8K	
Weighing range	6 to 3000 g					
Scale interval	0.05 g					
Maximum speed ¹	320 products/min					
Maximum accuracy (3σ) ¹	±0.1 g					
Display	8.5-inch color TFT LCD					
Operation method	Touch panel (Start, Stop, and Home are direct push buttons)					
Indication range	3004.5 g					
Preset memory	Maximum 200					
Classification	2 or 3					
Product size ²	Width W	20 to 80 mm	20 to 100 mm	20 to 120 mm	20 to 150 mm	20 to 180 mm
	Length L	65 to 320 mm				
	Height H	5 to 280 mm				
Belt speed	15 to 120 m/min					
Power requirements	100 Vac to 120 Vac +10% -15% or 200 Vac to 240 Vac +10% -15%, single phase, 50/60 Hz, 300 VA, rush current 30 A (typ.) (20 ms or less)					
Mass	123 kg	124 kg	125 kg	127 kg	128 kg	
Environmental conditions	0°C to 40°C (variation not to exceed 5°C/h to maintain accuracy), relative humidity 30% to 85%, non-condensing					
Protection class	IP30 compliance					
Exterior	F type: painted, P type: stainless steel (SUS304) (excluding some parts)					
Data output	USB port (USB2.0), Ethernet interface (10BASE-T, 100BASE-TX)					

¹: The speed and accuracy vary according to the products to be weighed and the rejector.

²: The size of products to be weighed depends on the rejector; select a checkweigher together with a rejector. Consult us about semi-transparent and transparent products.

Note: The noise level of the checkweighers does not exceed 70 dB (A).

SSV-h series
SSV-i series
SSV-f series

High Accuracy **SSV-h** **M6-h**

SSV-h series and M6-h Metal Detector **Vertical type**

KWS6414 type

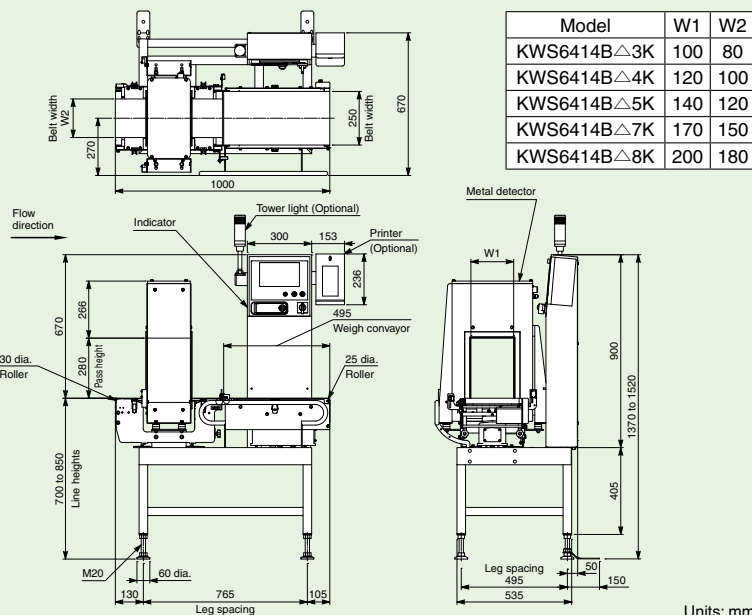
Weighing range: 6 to 3000 g

Maximum accuracy(3σ): ±0.1 g

Maximum speed: 220 products/min

External Dimensions (with M6-h series vertical type)

- KWS6414B△3K
- KWS6414B△4K
- KWS6414B△5K
- KWS6414B△7K
- KWS6414B△8K



Specifications



Model	KWS6414BF3K KWS6414BP3K	KWS6414BF4K KWS6414BP4K	KWS6414BF5K KWS6414BP5K	KWS6414BF7K KWS6414BP7K	KWS6414BF8K KWS6414BP8K	
Weighing range	6 to 3000 g					
Scale interval	0.05 g					
Maximum speed ¹	220 products/min					
Maximum accuracy (3σ) ¹	±0.1 g					
Display	8.5-inch color TFT LCD					
Operation method	Touch panel (Start, Stop, and Home are direct push buttons)					
Indication range	3004.5 g					
Preset memory	Maximum 200					
Classification	2 or 3					
Product size ²	Width W	20 to 80 mm	20 to 100 mm	20 to 120 mm	20 to 150 mm	20 to 180 mm
	Length L	65 to 450 mm				
	Height H	5 to 280 mm				
Belt speed	15 to 120 m/min					
Power requirements	100 Vac to 120 Vac +10% -15% or 200 Vac to 240 Vac +10% -15%, single phase, 50/60 Hz, 300 VA, rush current 30 A (typ.) (20 ms or less)					
Mass	124 kg	125 kg	126 kg	128 kg	129 kg	
Environmental conditions	0°C to 40°C (variation not to exceed 5°C/h to maintain accuracy), relative humidity 30% to 85%, non-condensing					
Protection class	IP30 compliance					
Exterior	F type: painted, P type: stainless steel (SUS304) (excluding some parts)					
Data output	USB port (USB2.0), Ethernet interface (10BASE-T, 100BASE-TX)					

¹: The speed and accuracy vary according to the products to be weighed and the rejector.

²: The size of products to be weighed depends on the rejector; select a checkweigher together with a rejector. Consult us about semi-transparent and transparent products.

Note: The noise level of the checkweighers does not exceed 70 dB (A).

Waterproof **SSV-i** **M6-h**

SSV-i series and M6-h Metal Detector **Vertical type**

KWS6265 type

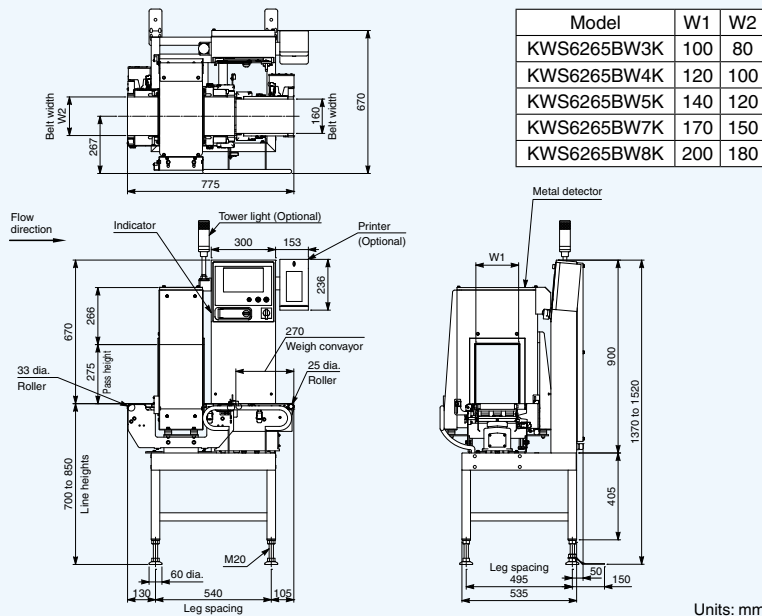
Weighing range: **6 to 600 g**

Maximum accuracy(3σ): **± 0.1 g**

Maximum speed: **280** products/min

External Dimensions (with M6-h series vertical type)

KWS6265BW3K
KWS6265BW4K
KWS6265BW5K
KWS6265BW7K
KWS6265BW8K



Specifications



Model	KWS6265BW3K	KWS6265BW4K	KWS6265BW5K	KWS6265BW7K	KWS6265BW8K	
Weighing range	6 to 600 g					
Scale interval	0.01 g					
Maximum speed ¹	280 products/min					
Maximum accuracy (3σ) ¹	±0.1 g					
Display	8.5-inch color TFT LCD					
Operation method	Touch panel (Start, Stop, and Home are direct push buttons)					
Indication range	601.8 g					
Preset memory	Maximum 200					
Classification	2 or 3					
Product size ²	Width W	20 to 80 mm	20 to 100 mm	20 to 120 mm	20 to 150 mm	
	Length L	68 to 200 mm				
	Height H	5 to 275 mm				
Belt speed	9 to 82 m/min					
Power requirements	100 Vac to 120 Vac +10% -15% or 200 Vac to 240 Vac +10% -15%, single phase, 50/60 Hz, 300 VA, rush current 30 A (typ.) (20 ms or less)					
Mass	127 kg	128 kg	129 kg	131 kg	132 kg	
Environmental conditions	0°C to 40°C (variation not to exceed 5°C/h to maintain accuracy), relative humidity 30% to 85%, non-condensing					
Protection class	IP66 compliance					
Exterior	Stainless steel (SUS304)					
Data output	USB port (USB2.0), Ethernet interface (10BASE-T, 100BASE-TX)					

1: The speed and accuracy vary according to the products to be weighed and the rejector.

2: The size of products to be weighed depends on the rejector; select a checkweigher together with a rejector. Consult us about semi-transparent and transparent products.

Note: The noise level of the checkweighers does not exceed 70 dB (A).

Waterproof **SSV-i** **M6-h**

SSV-i series and M6-h Metal Detector **Vertical type**

KWS6366 type

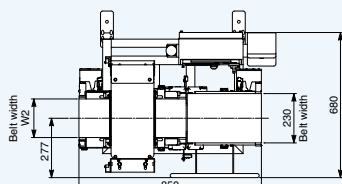
Weighing range: 12 to 1200 g

Maximum accuracy(3σ): ±0.1 g

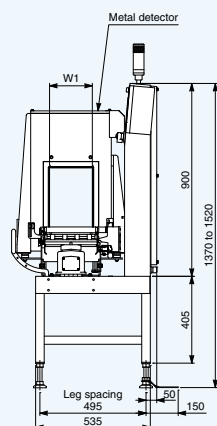
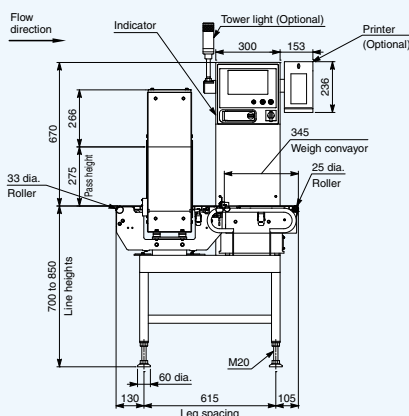
Maximum speed: 220 products/min

External Dimensions (with M6-h series vertical type)

KWS6366BW3K
KWS6366BW4K
KWS6366BW5K
KWS6366BW7K
KWS6366BW8K



Model	W1	W2
KWS6366BW3K	100	80
KWS6366BW4K	120	100
KWS6366BW5K	140	120
KWS6366BW7K	170	150
KWS6366BW8K	200	180



Units: mm

Specifications



Model	KWS6366BW3K	KWS6366BW4K	KWS6366BW5K	KWS6366BW7K	KWS6366BW8K	
Weighing range	12 to 1200 g					
Scale interval	0.02 g					
Maximum speed ¹	220 products/min					
Maximum accuracy (3σ) ¹	±0.1 g					
Display	8.5-inch color TFT LCD					
Operation method	Touch panel (Start, Stop, and Home are direct push buttons)					
Indication range	1201.8 g					
Preset memory	Maximum 200					
Classification	2 or 3					
Product size ²	Width W	20 to 80 mm	20 to 100 mm	20 to 120 mm	20 to 150 mm	
	Length L	68 to 320 mm				
	Height H	5 to 275 mm				
Belt speed	9 to 82 m/min					
Power requirements	100 Vac to 120 Vac +10% -15% or 200 Vac to 240 Vac +10% -15%, single phase, 50/60 Hz, 300 VA, rush current 30 A (typ.) (20 ms or less)					
Mass	128 kg	129 kg	130 kg	132 kg	133 kg	
Environmental conditions	0°C to 40°C (variation not to exceed 5°C/h to maintain accuracy), relative humidity 30% to 85%, non-condensing					
Protection class	IP66 compliance					
Exterior	Stainless steel (SUS304)					
Data output	USB port (USB2.0), Ethernet interface (10BASE-T, 100BASE-TX)					

1: The speed and accuracy vary according to the products to be weighed and the rejector.

2: The size of products to be weighed depends on the rejector; select a checkweigher together with a rejector. Consult us about semi-transparent and transparent products.

Note: The noise level of the checkweighers does not exceed 70 dB (A).

Waterproof **SSV-i** **M6-h**

SSV-i series and M6-h Metal Detector **Vertical type**

KWS6472 type

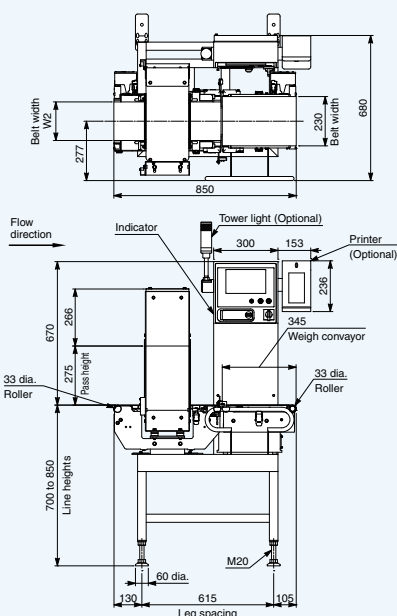
Weighing range: **30 to 3000 g [30 to 1200 g]**

Maximum accuracy(3 σ): **± 0.1 g**

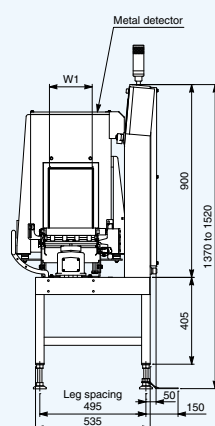
Maximum speed: **160 [220] products/min**

External Dimensions (with M6-h series vertical type)

KWS6472BW3K
KWS6472BW4K
KWS6472BW5K
KWS6472BW7K
KWS6472BW8K



Model	W1	W2
KWS6472BW3K	100	80
KWS6472BW4K	120	100
KWS6472BW5K	140	120
KWS6472BW7K	170	150
KWS6472BW8K	200	180



Units: mm

Specifications



Model	KWS6472BW3K	KWS6472BW4K	KWS6472BW5K	KWS6472BW7K	KWS6472BW8K	
Weighing range	30 to 3000 g [30 to 1200 g] ³					
Scale interval	0.05 g [0.02 g] ³					
Maximum speed ¹	160 [220] products/min ³					
Maximum accuracy (3 σ) ¹	± 0.1 g					
Display	8.5-inch color TFT LCD					
Operation method	Touch panel (Start, Stop, and Home are direct push buttons)					
Indication range	3004.5 g [1201.8 g] ³					
Preset memory	Maximum 200					
Classification	2 or 3					
Product size ²	Width W	20 to 80 mm	20 to 100 mm	20 to 120 mm	20 to 150 mm	
	Length L	76 to 320 mm				
	Height H	5 to 275 mm				
Belt speed	7 to 60 [9 to 82] m/min ³					
Power requirements	100 Vac to 120 Vac +10% -15% or 200 Vac to 240 Vac +10% -15%, single phase, 50/60 Hz, 300 VA, rush current 30 A (typ.) (20 ms or less)					
Mass	129 kg	130 kg	131 kg	133 kg	134 kg	
Environmental conditions	0°C to 40°C (variation not to exceed 5°C/h to maintain accuracy), relative humidity 30% to 85%, non-condensing					
Protection class	IP66 compliance					
Exterior	Stainless steel (SUS304)					
Data output	USB port (USB2.0), Ethernet interface (10BASE-T, 100BASE-TX)					

1: The speed and accuracy vary according to the products to be weighed and the rejector.

2: The size of products to be weighed depends on the rejector; select a checkweigher together with a rejector. Consult us about semi-transparent and transparent products.

3: [] are optional. The maximum weighing range varies according to the operating environment.

Note: The noise level of the checkweighers does not exceed 70 dB (A).

Waterproof **SSV-i** **M6-h**

SSV-i series and M6-h Metal Detector **Vertical type**

KWS5265 type

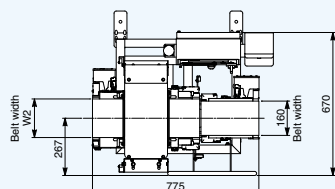
Weighing range: **6 to 600 g**

Maximum accuracy(3σ): **± 0.2 g**

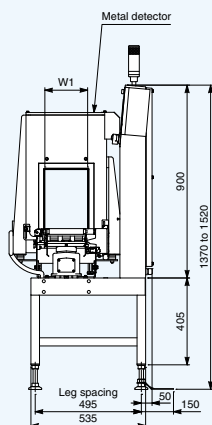
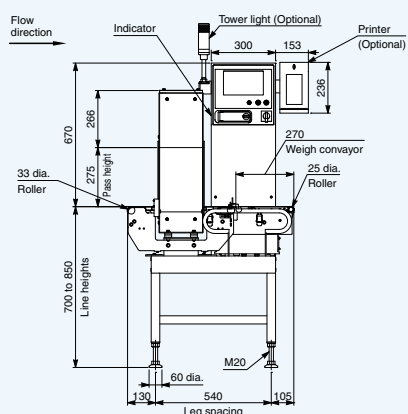
Maximum speed: **280** products/min

External Dimensions (with M6-h series vertical type)

KWS5265BW3K
KWS5265BW4K
KWS5265BW5K
KWS5265BW7K
KWS5265BW8K



Model	W1	W2
KWS5265BW3K	100	80
KWS5265BW4K	120	100
KWS5265BW5K	140	120
KWS5265BW7K	170	150
KWS5265BW8K	200	180



Units: mm

Specifications



Model	KWS5265BW3K	KWS5265BW4K	KWS5265BW5K	KWS5265BW7K	KWS5265BW8K	
Weighing range	6 to 600 g					
Scale interval	0.05 g					
Maximum speed ¹	280 products/min					
Maximum accuracy (3σ) ¹	±0.2 g					
Display	8.5-inch color TFT LCD					
Operation method	Touch panel (Start, Stop, and Home are direct push buttons)					
Indication range	604.5 g					
Preset memory	Maximum 200					
Classification	2 or 3					
Product size ²	Width W	20 to 80 mm	20 to 100 mm	20 to 120 mm	20 to 150 mm	20 to 180 mm
	Length L	68 to 200 mm				
	Height H	5 to 275 mm				
Belt speed	9 to 82 m/min					
Power requirements	100 Vac to 120 Vac +10% -15% or 200 Vac to 240 Vac +10% -15%, single phase, 50/60 Hz, 300 VA, rush current 30 A (typ.) (20 ms or less)					
Mass	126 kg	127 kg	128 kg	130 kg	131 kg	
Environmental conditions	0°C to 40°C (variation not to exceed 5°C/h to maintain accuracy), relative humidity 30% to 85%, non-condensing					
Protection class	IP66 compliance					
Exterior	Stainless steel (SUS304)					
Data output	USB port (USB2.0), Ethernet interface (10BASE-T, 100BASE-TX)					

1: The speed and accuracy vary according to the products to be weighed and the rejector.

2: The size of products to be weighed depends on the rejector; select a checkweigher together with a rejector. Consult us about semi-transparent and transparent products.

Note: The noise level of the checkweighers does not exceed 70 dB (A).

Waterproof **SSV-i** **M6-h**

SSV-i series and M6-h Metal Detector **Vertical type**

KWS5366 type

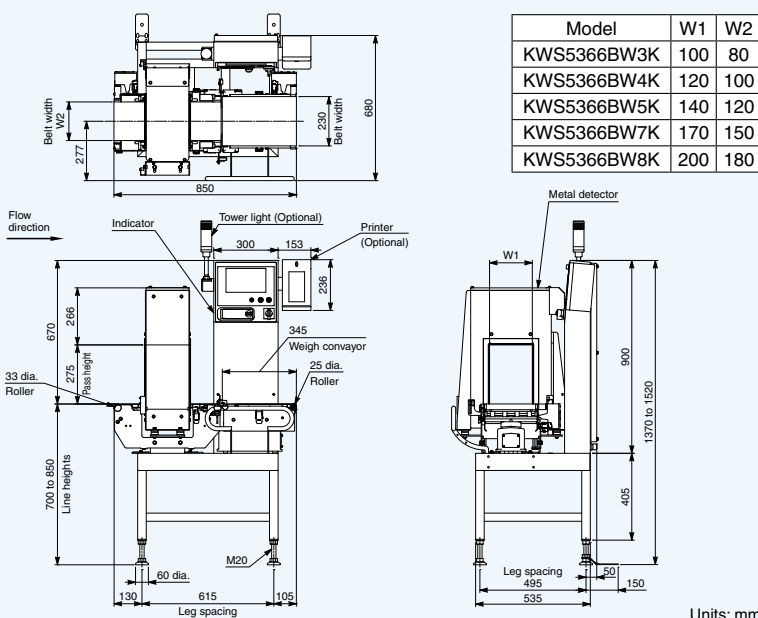
Weighing range: 12 to 1200 g

Maximum accuracy(3σ): ±0.2 g

Maximum speed: 220 products/min

External Dimensions (with M6-h series vertical type)

KWS5366BW3K
KWS5366BW4K
KWS5366BW5K
KWS5366BW7K
KWS5366BW8K



Specifications



Model	KWS5366BW3K	KWS5366BW4K	KWS5366BW5K	KWS5366BW7K	KWS5366BW8K	
Weighing range	12 to 1200 g					
Scale interval	0.05 g					
Maximum speed ¹	220 products/min					
Maximum accuracy (3σ) ¹	±0.2 g					
Display	8.5-inch color TFT LCD					
Operation method	Touch panel (Start, Stop, and Home are direct push buttons)					
Indication range	1204.5 g					
Preset memory	Maximum 200					
Classification	2 or 3					
Product size ²	Width W	20 to 80 mm	20 to 100 mm	20 to 120 mm	20 to 150 mm	20 to 180 mm
	Length L	68 to 320 mm				
	Height H	5 to 275 mm				
Belt speed	9 to 82 m/min					
Power requirements	100 Vac to 120 Vac +10% -15% or 200 Vac to 240 Vac +10% -15%, single phase, 50/60 Hz, 300 VA, rush current 30 A (typ.) (20 ms or less)					
Mass	127 kg	128 kg	129 kg	131 kg	132 kg	
Environmental conditions	0°C to 40°C (variation not to exceed 5°C/h to maintain accuracy), relative humidity 30% to 85%, non-condensing					
Protection class	IP66 compliance					
Exterior	Stainless steel (SUS304)					
Data output	USB port (USB2.0), Ethernet interface (10BASE-T, 100BASE-TX)					

1: The speed and accuracy vary according to the products to be weighed and the rejector.

2: The size of products to be weighed depends on the rejector; select a checkweigher together with a rejector. Consult us about semi-transparent and transparent products.

Note: The noise level of the checkweighers does not exceed 70 dB (A).

SSV-h series

SSV-i series

SSV-f series

Waterproof **SSV-i** **M6-h**

SSV-i series and M6-h Metal Detector **Vertical type**

KWS5472 type

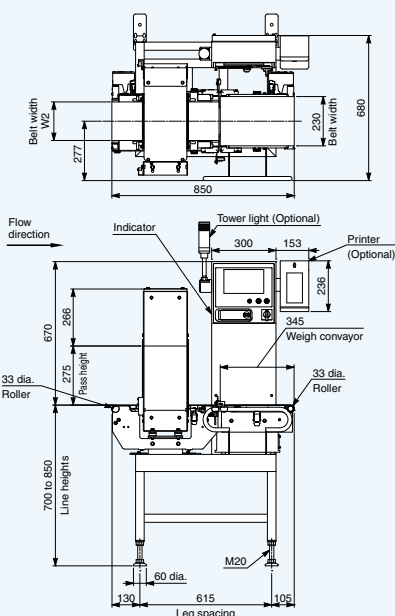
Weighing range: 30 to 3000 g [30 to 1200 g]

Maximum accuracy(3σ): ± 0.5 g

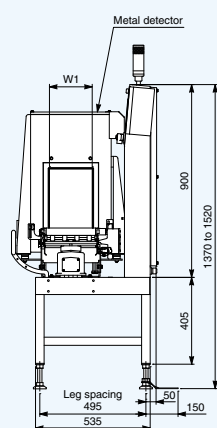
Maximum speed: 160 [220] products/min

External Dimensions (with M6-h series vertical type)

KWS5472BW3K
KWS5472BW4K
KWS5472BW5K
KWS5472BW7K
KWS5472BW8K



Model	W1	W2
KWS5472BW3K	100	80
KWS5472BW4K	120	100
KWS5472BW5K	140	120
KWS5472BW7K	170	150
KWS5472BW8K	200	180



Units: mm

Specifications



Model	KWS5472BW3K	KWS5472BW4K	KWS5472BW5K	KWS5472BW7K	KWS5472BW8K	
Weighing range	30 to 3000 g [30 to 1200 g] ³					
Scale interval	0.1 g [0.05 g] ³					
Maximum speed ¹	160 [220] products/min ³					
Maximum accuracy (3σ) ¹	±0.5 g					
Display	8.5-inch color TFT LCD					
Operation method	Touch panel (Start, Stop, and Home are direct push buttons)					
Indication range	3009 g [1204.5 g] ³					
Preset memory	Maximum 200					
Classification	2 or 3					
Product size ²	Width W	20 to 80 mm	20 to 100 mm	20 to 120 mm	20 to 150 mm	
	Length L	76 to 320 mm				
	Height H	5 to 275 mm				
Belt speed	7 to 60 [9 to 82] m/min ³					
Power requirements	100 Vac to 120 Vac +10% -15% or 200 Vac to 240 Vac +10% -15%, single phase, 50/60 Hz, 300 VA, rush current 30 A (typ.) (20 ms or less)					
Mass	128 kg	129 kg	130 kg	132 kg	133 kg	
Environmental conditions	0°C to 40°C (variation not to exceed 5°C/h to maintain accuracy), relative humidity 30% to 85%, non-condensing					
Protection class	IP66 compliance					
Exterior	Stainless steel (SUS304)					
Data output	USB port (USB2.0), Ethernet interface (10BASE-T, 100BASE-TX)					

1: The speed and accuracy vary according to the products to be weighed and the rejector.

2: The size of products to be weighed depends on the rejector; select a checkweigher together with a rejector. Consult us about semi-transparent and transparent products.

3: [] are optional. The maximum weighing range varies according to the operating environment.

Note: The noise level of the checkweighers does not exceed 70 dB (A).

Waterproof **SSV-i** **M6-h**

SSV-i series and M6-h Metal Detector **Vertical type**

KWS5577 type

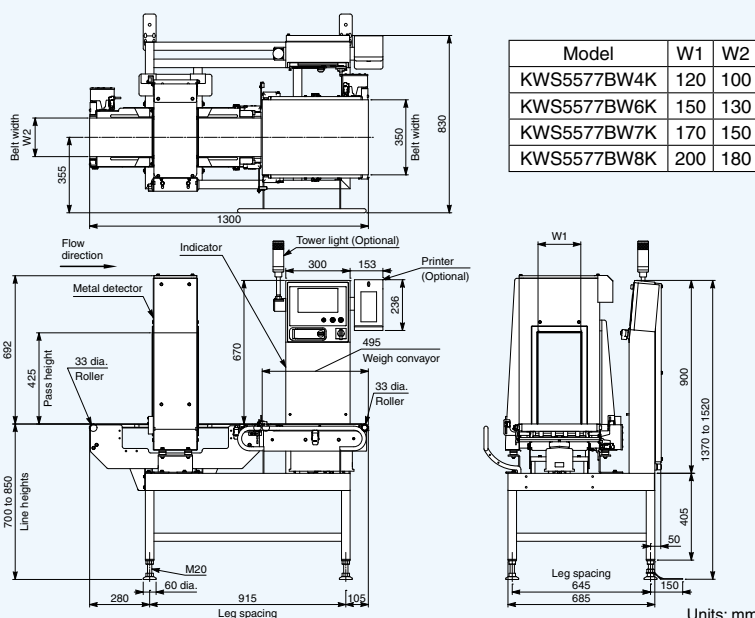
Weighing range: 60 to 6000 g

Maximum accuracy(3σ): ± 1.5 g

Maximum speed: 70 products/min

External Dimensions (with M6-h series vertical type)

KWS5577BW4K
KWS5577BW6K
KWS5577BW7K
KWS5577BW8K



Specifications



Model	KWS5577BW4K	KWS5577BW6K	KWS5577BW7K	KWS5577BW8K	
Weighing range	60 to 6000 g				
Scale interval	0.5 g				
Maximum speed ¹	70 products/min				
Maximum accuracy (3σ) ¹	±1.5 g				
Display	8.5-inch color TFT LCD				
Operation method	Touch panel (Start, Stop, and Home are direct push buttons)				
Indication range	6018 g				
Preset memory	Maximum 200				
Classification	2 or 3				
Product size ²	Width W	20 to 100 mm	20 to 130 mm	20 to 150 mm	
	Length L	76 to 450 mm			
	Height H	5 to 425 mm			
Belt speed	5 to 38 m/min				
Power requirements	100 Vac to 120 Vac +10% -15% or 200 Vac to 240 Vac +10% -15%, single phase, 50/60 Hz, 300 VA, rush current 30 A (typ.) (20 ms or less)				
Mass	162 kg	166 kg	168 kg	170 kg	
Environmental conditions	0°C to 40°C (variation not to exceed 5°C/h to maintain accuracy), relative humidity 30% to 85%, non-condensing				
Protection class	IP66 compliance				
Exterior	Stainless steel (SUS304)				
Data output	USB port (USB2.0), Ethernet interface (10BASE-T, 100BASE-TX)				

1: The speed and accuracy vary according to the products to be weighed and the rejector.

2: The size of products to be weighed depends on the rejector; select a checkweigher together with a rejector. Consult us about semi-transparent and transparent products.

Note: The noise level of the checkweighers does not exceed 70 dB (A).

Versatile **SSV-f** **M6-h**

SSV-f series and M6-h Metal Detector **Vertical type**

KWS5205 type

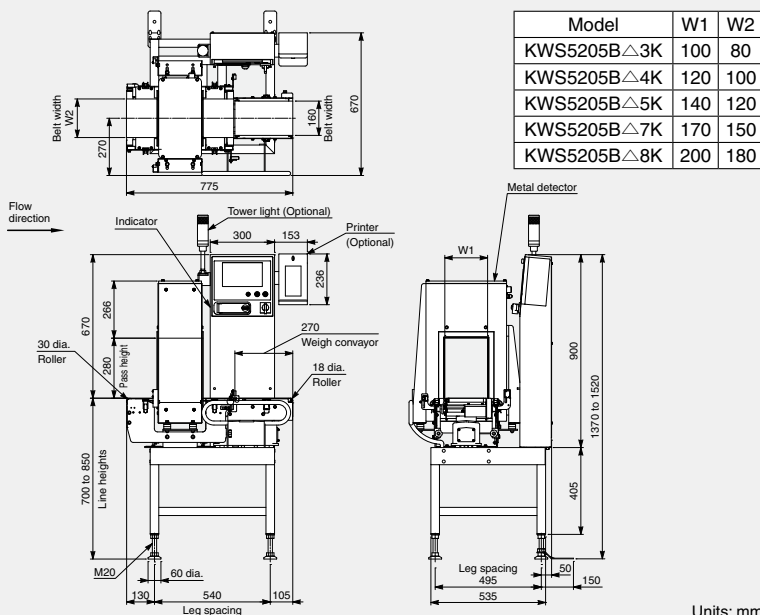
Weighing range: **6 to 600 g**

Maximum accuracy(3σ): **± 0.2 g**

Maximum speed: **350** products/min

External Dimensions (with M6-h series vertical type)

- KWS5205B△3K
- KWS5205B△4K
- KWS5205B△5K
- KWS5205B△7K
- KWS5205B△8K



Specifications

Model	KWS5205BF3K KWS5205BP3K	KWS5205BF4K KWS5205BP4K	KWS5205BF5K KWS5205BP5K	KWS5205BF7K KWS5205BP7K	KWS5205BF8K KWS5205BP8K	
Weighing range	6 to 600 g					
Scale interval	0.05 g					
Maximum speed ¹	350 products/min					
Maximum accuracy (3σ) ¹	±0.2 g					
Display	8.5-inch color TFT LCD					
Operation method	Touch panel (Start, Stop, and Home are direct push buttons)					
Indication range	604.5 g					
Preset memory	Maximum 200					
Classification	2 or 3					
Product size ²	Width W	20 to 80 mm	20 to 100 mm	20 to 120 mm	20 to 150 mm	20 to 180 mm
	Length L	58 to 230 mm				
	Height H	5 to 280 mm				
Belt speed	15 to 103 m/min					
Power requirements	100 Vac to 120 Vac +10% -15% or 200 Vac to 240 Vac +10% -15%, single phase, 50/60 Hz, 200 VA, rush current 30 A (typ.) (20 ms or less)					
Mass	119 kg	120 kg	121 kg	123 kg	124 kg	
Environmental conditions	0°C to 40°C (variation not to exceed 5°C/h to maintain accuracy), relative humidity 30% to 85%, non-condensing					
Protection class	IP30 compliance					
Exterior	F type: painted, P type: stainless steel (SUS304) (excluding some parts)					
Data output	USB port (USB2.0), Ethernet interface (10BASE-T, 100BASE-TX)					

¹: The speed and accuracy vary according to the products to be weighed and the rejector.

²: The size of products to be weighed depends on the rejector; select a checkweigher together with a rejector. Consult us about semi-transparent and transparent products.

Note: The noise level of the checkweighers does not exceed 70 dB (A).

Versatile **SSV-f** **M6-h**

SSV-f series and M6-h Metal Detector **Vertical type**

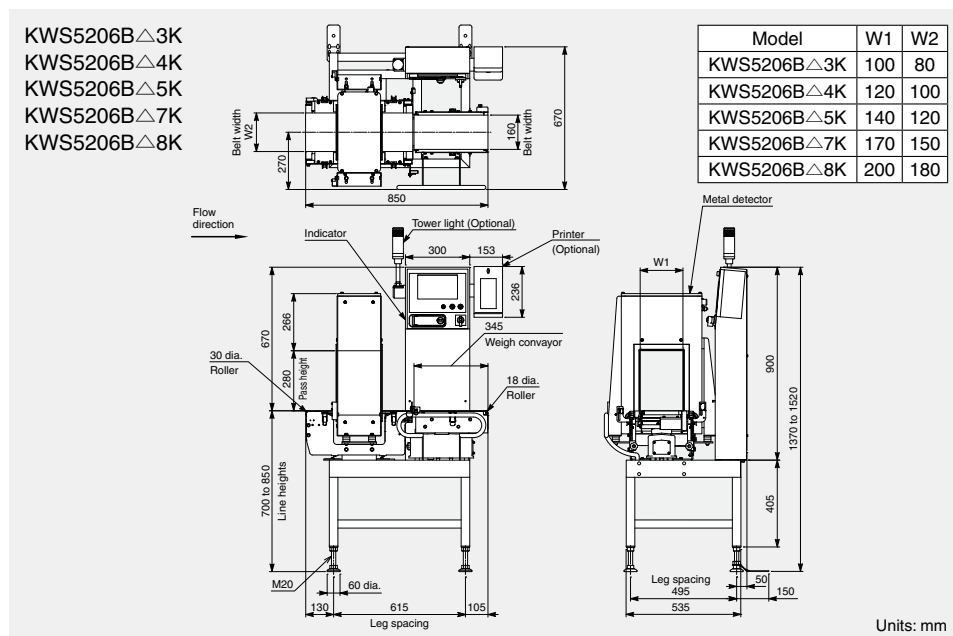
KWS5206 type

Weighing range: **6 to 600 g**

Maximum accuracy(3σ): **± 0.2 g**

Maximum speed: **320** products/min

External Dimensions (with M6-h series vertical type)



Specifications



Model	KWS5206BF3K KWS5206BP3K	KWS5206BF4K KWS5206BP4K	KWS5206BF5K KWS5206BP5K	KWS5206BF7K KWS5206BP7K	KWS5206BF8K KWS5206BP8K	
Weighing range	6 to 600 g					
Scale interval	0.05 g					
Maximum speed ¹	320 products/min					
Maximum accuracy (3σ) ¹	±0.2 g					
Display	8.5-inch color TFT LCD					
Operation method	Touch panel (Start, Stop, and Home are direct push buttons)					
Indication range	604.5 g					
Preset memory	Maximum 200					
Classification	2 or 3					
Product size ²	Width W	20 to 80 mm	20 to 100 mm	20 to 120 mm	20 to 180 mm	
	Length L	58 to 310 mm				
	Height H	5 to 280 mm				
Belt speed	15 to 120 m/min					
Power requirements	100 Vac to 120 Vac +10% -15% or 200 Vac to 240 Vac +10% -15%, single phase, 50/60 Hz, 200 VA, rush current 30 A (typ.) (20 ms or less)					
Mass	119 kg	120 kg	121 kg	123 kg	124 kg	
Environmental conditions	0°C to 40°C (variation not to exceed 5°C/h to maintain accuracy), relative humidity 30% to 85%, non-condensing					
Protection class	IP30 compliance					
Exterior	F type: painted, P type: stainless steel (SUS304) (excluding some parts)					
Data output	USB port (USB2.0), Ethernet interface (10BASE-T, 100BASE-TX)					

¹: The speed and accuracy vary according to the products to be weighed and the rejector.

²: The size of products to be weighed depends on the rejector; select a checkweigher together with a rejector. Consult us about semi-transparent and transparent products.

Note: The noise level of the checkweighers does not exceed 70 dB (A).

Versatile **SSV-f** **M6-h**

SSV-f series and M6-h Metal Detector **Vertical type**

KWS5411 type

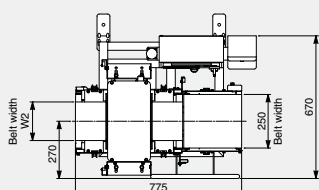
Weighing range: 12 to 3000 g

Maximum accuracy(3σ): ± 0.2 g

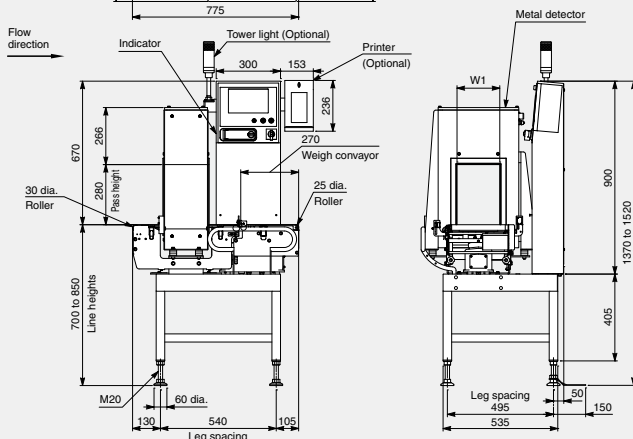
Maximum speed: 320 products/min

External Dimensions (with M6-h series vertical type)

- KWS5411B△3K
- KWS5411B△4K
- KWS5411B△5K
- KWS5411B△7K
- KWS5411B△8K



Model	W1	W2
KWS5411B△3K	100	80
KWS5411B△4K	120	100
KWS5411B△5K	140	120
KWS5411B△7K	170	150
KWS5411B△8K	200	180



Units: mm

Specifications



Model	KWS5411BF3K KWS5411BP3K	KWS5411BF4K KWS5411BP4K	KWS5411BF5K KWS5411BP5K	KWS5411BF7K KWS5411BP7K	KWS5411BF8K KWS5411BP8K	
Weighing range	12 to 3000 g					
Scale interval ¹	0.1 g					
Maximum speed ¹	320 products/min					
Maximum accuracy (3σ) ¹	±0.2 g					
Display	8.5-inch color TFT LCD					
Operation method	Touch panel (Start, Stop, and Home are direct push buttons)					
Indication range	3009 g					
Preset memory	Maximum 200					
Classification	2 or 3					
Product size ²	Width W	20 to 80 mm	20 to 100 mm	20 to 120 mm	20 to 150 mm	20 to 180 mm
	Length L	65 to 230 mm				
	Height H	5 to 280 mm				
Belt speed	15 to 94 m/min					
Power requirements	100 Vac to 120 Vac +10% -15% or 200 Vac to 240 Vac +10% -15%, single phase, 50/60 Hz, 300 VA, rush current 30 A (typ.) (20 ms or less)					
Mass	121 kg	122 kg	123 kg	125 kg	126 kg	
Environmental conditions	0°C to 40°C (variation not to exceed 5°C/h to maintain accuracy), relative humidity 30% to 85%, non-condensing					
Protection class	IP30 compliance					
Exterior	F type: painted, P type: stainless steel (SUS304) (excluding some parts)					
Data output	USB port (USB2.0), Ethernet interface (10BASE-T, 100BASE-TX)					

¹: The speed and accuracy vary according to the products to be weighed and the rejector.

²: The size of products to be weighed depends on the rejector; select a checkweigher together with a rejector. Consult us about semi-transparent and transparent products.

Note: The noise level of the checkweighers does not exceed 70 dB (A).

Versatile **SSV-f** **M6-h**

SSV-f series and M6-h Metal Detector **Vertical type**

KWS5412 type

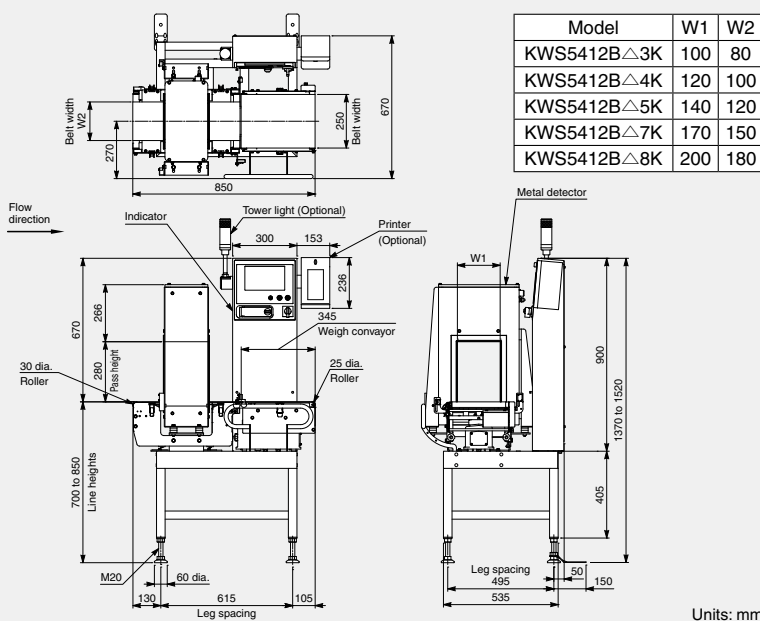
Weighing range: **12 to 3000 g**

Maximum accuracy(3 σ): **± 0.2 g**

Maximum speed: **320** products/min

External Dimensions (with M6-h series vertical type)

- KWS5412B Δ 3K
- KWS5412B Δ 4K
- KWS5412B Δ 5K
- KWS5412B Δ 7K
- KWS5412B Δ 8K



Specifications



Model	KWS5412BF3K KWS5412BP3K	KWS5412BF4K KWS5412BP4K	KWS5412BF5K KWS5412BP5K	KWS5412BF7K KWS5412BP7K	KWS5412BF8K KWS5412BP8K	
Weighing range	12 to 3000 g					
Scale interval	0.1 g					
Maximum speed ¹	320 products/min					
Maximum accuracy (3 σ) ¹	± 0.2 g					
Display	8.5-inch color TFT LCD					
Operation method	Touch panel (Start, Stop, and Home are direct push buttons)					
Indication range	3009 g					
Preset memory	Maximum 200					
Classification	2 or 3					
Product size ²	Width W	20 to 80 mm	20 to 100 mm	20 to 120 mm	20 to 150 mm	
	Length L	65 to 310 mm				
	Height H	5 to 280 mm				
Belt speed	15 to 120 m/min					
Power requirements	100 Vac to 120 Vac +10% -15% or 200 Vac to 240 Vac +10% -15%, single phase, 50/60 Hz, 300 VA, rush current 30 A (typ.) (20 ms or less)					
Mass	122 kg	123 kg	124 kg	126 kg	127 kg	
Environmental conditions	0°C to 40°C (variation not to exceed 5°C/h to maintain accuracy), relative humidity 30% to 85%, non-condensing					
Protection class	IP30 compliance					
Exterior	F type: painted, P type: stainless steel (SUS304) (excluding some parts)					
Data output	USB port (USB2.0), Ethernet interface (10BASE-T, 100BASE-TX)					

¹: The speed and accuracy vary according to the products to be weighed and the rejector.

²: The size of products to be weighed depends on the rejector; select a checkweigher together with a rejector. Consult us about semi-transparent and transparent products.

Note: The noise level of the checkweighers does not exceed 70 dB (A).

Versatile **SSV-f** **M6-h**

SSV-f series and M6-h Metal Detector **Vertical type**

KWS5414 type

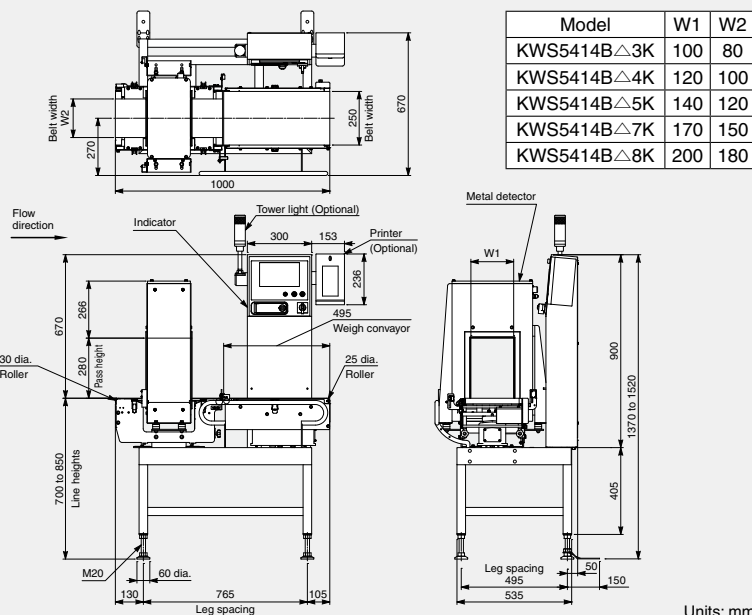
Weighing range: 12 to 3000 g

Maximum accuracy(3σ): ± 0.2 g

Maximum speed: 220 products/min

External Dimensions (with M6-h series vertical type)

- KWS5414B△3K
- KWS5414B△4K
- KWS5414B△5K
- KWS5414B△7K
- KWS5414B△8K



Specifications



Model	KWS5414BF3K KWS5414BP3K	KWS5414BF4K KWS5414BP4K	KWS5414BF5K KWS5414BP5K	KWS5414BF7K KWS5414BP7K	KWS5414BF8K KWS5414BP8K	
Weighing range	12 to 3000 g					
Scale interval	0.1 g					
Maximum speed ¹	220 products/min					
Maximum accuracy (3σ) ¹	±0.2 g					
Display	8.5-inch color TFT LCD					
Operation method	Touch panel (Start, Stop, and Home are direct push buttons)					
Indication range	3009 g					
Preset memory	Maximum 200					
Classification	2 or 3					
Product size ²	Width W	20 to 80 mm	20 to 100 mm	20 to 120 mm	20 to 150 mm	
	Length L	65 to 450 mm				
	Height H	5 to 280 mm				
Belt speed	15 to 120 m/min					
Power requirements	100 Vac to 120 Vac +10% -15% or 200 Vac to 240 Vac +10% -15%, single phase, 50/60 Hz, 300 VA, rush current 30 A (typ.) (20 ms or less)					
Mass	123 kg	124 kg	125 kg	127 kg	128 kg	
Environmental conditions	0°C to 40°C (variation not to exceed 5°C/h to maintain accuracy), relative humidity 30% to 85%, non-condensing					
Protection class	IP30 compliance					
Exterior	F type: painted, P type: stainless steel (SUS304) (excluding some parts)					
Data output	USB port (USB2.0), Ethernet interface (10BASE-T, 100BASE-TX)					

¹: The speed and accuracy vary according to the products to be weighed and the rejector.

²: The size of products to be weighed depends on the rejector; select a checkweigher together with a rejector. Consult us about semi-transparent and transparent products.

Note: The noise level of the checkweighers does not exceed 70 dB (A).

Versatile **SSV-f** **M6-h**

SSV-f series and M6-h Metal Detector **Vertical type**

KWS5524 type

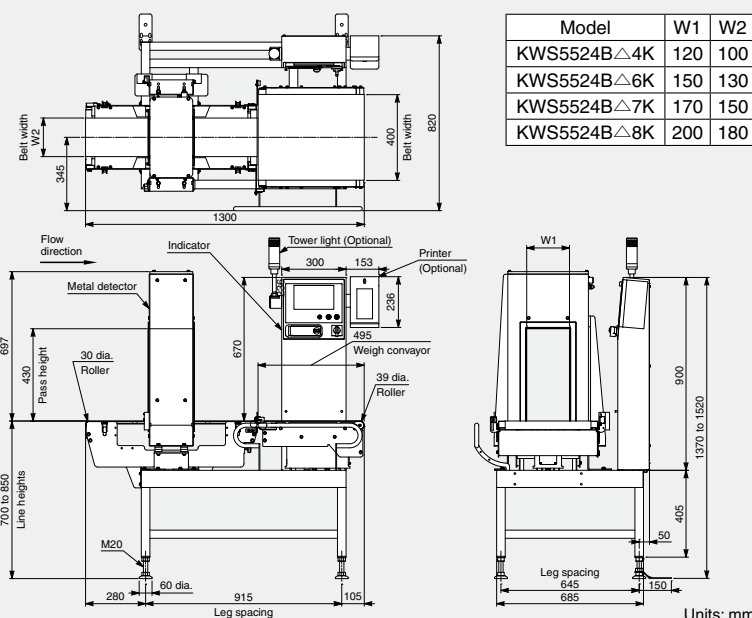
Weighing range: **60 to 6000 g**

Maximum accuracy(3σ): **± 1.5 g**

Maximum speed: **110** products/min

External Dimensions (with M6-h series vertical type)

KWS5524B△4K
KWS5524B△6K
KWS5524B△7K
KWS5524B△8K



Specifications



Model	KWS5524BF4K KWS5524BP4K	KWS5524BF6K KWS5524BP6K	KWS5524BF7K KWS5524BP7K	KWS5524BF8K KWS5524BP8K
Weighing range	60 to 6000 g			
Scale interval	0.5 g			
Maximum speed ¹	110 products/min			
Maximum accuracy (3σ) ¹	±1.5 g			
Display	8.5-inch color TFT LCD			
Operation method	Touch panel (Start, Stop, and Home are direct push buttons)			
Indication range	6018 g			
Preset memory	Maximum 200			
Classification	2 or 3			
Product size ²	Width W	20 to 100 mm	20 to 130 mm	20 to 150 mm
	Length L	79 to 450 mm		
	Height H	5 to 430 mm		
Belt speed	5 to 60 m/min			
Power requirements	100 Vac to 120 Vac +10% -15% or 200 Vac to 240 Vac +10% -15%, single phase, 50/60 Hz, 300 VA, rush current 30 A (typ.) (20 ms or less)			
Mass	161 kg	165 kg	167 kg	169 kg
Environmental conditions	0°C to 40°C (variation not to exceed 5°C/h to maintain accuracy), relative humidity 30% to 85%, non-condensing			
Protection class	IP30 compliance			
Exterior	F type: painted, P type: stainless steel (SUS304) (excluding some parts)			
Data output	USB port (USB2.0), Ethernet interface (10BASE-T, 100BASE-TX)			

1: The speed and accuracy vary according to the products to be weighed and the rejector.

2: The size of products to be weighed depends on the rejector; select a checkweigher together with a rejector. Consult us about semi-transparent and transparent products.

Note: The noise level of the checkweighers does not exceed 70 dB (A).



ANRITSU INFIVIS CO., LTD.

International Sales Department

5-1-1 Onna, Atsugi-shi, Kanagawa-Prf., 243-0032, JAPAN
TEL: +81-46-296-6699 FAX: +81-46-296-6786
<https://www.anritsu.com/infivis>

Anritsu Industrial Solutions (Shanghai) Co., Ltd.

3F, No.55, Lane 1505, Zuchongzhi Road, Zhangjiang Hi-tech Park, Pudong New Area, Shanghai 201203, P.R.China
TEL: +86-21-5046-3066 FAX: +86-21-5046-3068

ANRITSU INFIVIS (THAILAND) CO., LTD.

700/678 Moo 1, Amata Nakorn Industrial Estate, T. Pangthong A. Pangthong Chonburi Province Thailand 20160
TEL: +66 38-447180 FAX: +66 38-447182

ANRITSU INFIVIS LTD.

200 Capability Green Luton LU1 3LU, United Kingdom
TEL: +44(0)1582-433227 FAX: +44(0)1582-731303

ANRITSU INFIVIS INC.

1001 Cambridge Drive. Elk Grove Village, IL 60007-2453, U.S.A.
TEL: +1-847-419-9729 FAX: +1-847-537-8266

© ANRITSU INFIVIS CO., LTD. 2018

ISO14001 CERTIFICATE No.JQA-EM0210
ISO 9001 CERTIFICATE No.JQA-0316

- Some products shown in this catalog may not be available in your country or region. Contact our sales representatives for details.
- To ensure proper operation, read the Operation Manual before using the machine.
- In addition to daily inspection, a full maintenance inspection should be completed annually.

Specifications are subject to change without notice.
No part of this catalog may be reproduced without our permission.